

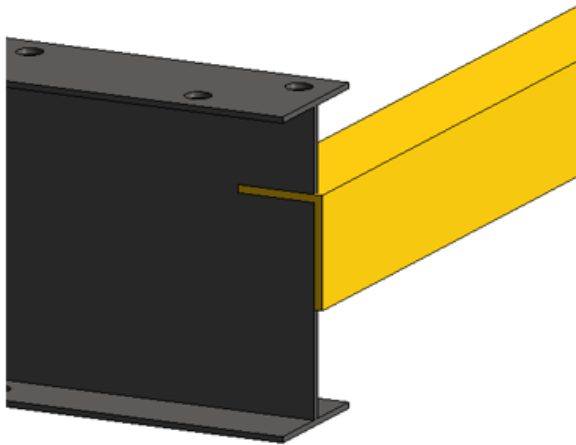


VERY NARROW AISLE

Description

VNA cantilever racking offers the same versatile storage abilities as conventional cantilever racking, but with added aisle guide rail and end-of aisle guardrail. The rails work to guide narrow aisle fork trucks through the picking aisles, allowing for faster, easier and more efficient operation. Pick precision is increased and material damage is significantly reduced.

The guide rail is divided into two categories: installation type 1 and installation type 2. When installing type 1, the guide rail is welded to the cantilever rack base on site. Heavy-duty end-of-aisle guardrail is placed at each corner of the assembled cantilever system. Angles are then welded to the end-of-aisle guardrail, which creates a continuous barrier around the assembled system. Guide rails measure 4" x 6" x 3/8". End-of-aisle guardrail is 12" H and features a 3" fold along the top of the rail.



AISLE GUIDE RAIL WELDED TO CANTILEVER BASE

AISLE GUIDE RAIL

Specifications

Purpose	Maximize storage, interior use
Design	Designed for narrow aisle fork truck
Installation Type 1	Inserted into Base
Size	4" x 6" x 3/8"
Material	Structural Steel
Finish	Standard Raw Unfinished Steel or Optional Powder Coated Yellow

COLORS

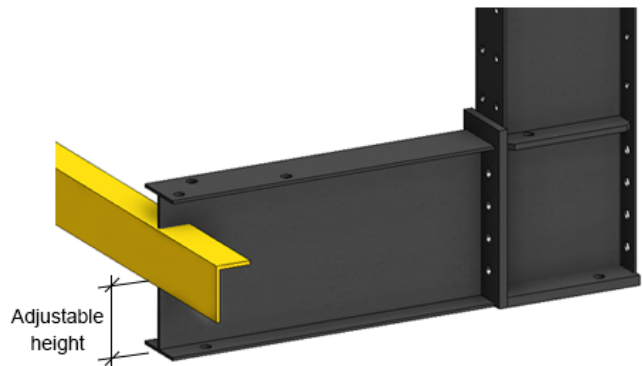


Standard raw, unfinished steel- most economical, most recommended

Safety Yellow
(Optional - Available at an additional cost. Touch-up paint is required after on-site welding installation)

INSTALLATION TYPE 1

WELDED ON-SITE TO THE CANTILEVER BASE





Cantilever Racking
Store Any Size, Any Shape

cogan.com

**VERY NARROW AISLE
CANTILEVER RACKING**

END OF AISLE GUIDE

SPECIFICATIONS

Purpose	Maximize storage, interior use
Design	Designed for narrow aisle fork truck
Installation Type 2	Heavy Duty, Bolted to the ground
Height	12"
Material	Structural Steel
Finish	Powder Coated
Connection	ASTM A325 Structural Bolts

COLORS



Safety Yellow

INSTALLATION TYPE 2 BOLTED TO THE GROUND

