



BOLLARDS

BOLLARD

Description

Bollards are made of 1/8" thick cylindrical steel welded to a baseplate. Standard bollards are 4 1/2" in diameter and welded to a 10" x 10" x 1/2" thick base plate with (4) 3/4"Ø punched holes placed 1 1/2" from the edge of each corner. Standard heights are 24", 36" and 42".

Oversized bollards are 6" in diameter and welded to a 12" x 12" x 1/2" thick baseplate for heavy-duty protection. Standard height is 42".

All bollards are finished with a durable, powder coated safety yellow paint and topped with a black plastic cap. Bolted to the floor using 5/8" Ø x 4 1/2" floor anchors

PRODUCT INFORMATION

Specifications

Need it fast? This product is available for Accelerated Production. 2-week delivery on select components. See "Sizes" tab for details.

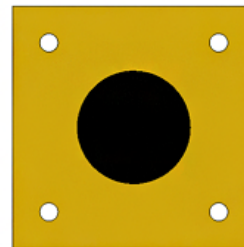
Accelerated Production orders are assembled using raw material that we keep in stock. This allow us to fast track your order through our abbreviated production process.

SPECIFICATIONS

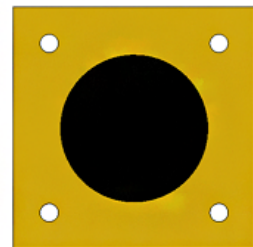
Construction	Assembled Components
Heights	24", 36", 42"
Thickness	1/8"
Diameter	4 1/2" and 6"
Finish	Powder Coated Safety Yellow
Base Plate	10" x 10" x 1/2" Thick for 4 1/2" Ø 12" x 12" x 1/2" Thick for 6" Ø
Requires	5/8"Ø x 4 1/2" Floor Anchors (Sold Separately)
Top Cover	Black Plastic Cap

TYPE OF BOLLARD - PLAN VIEW

4 1/2" Ø Bollard with
10" x 10" x 1/2" Thick Base Plate



6" Ø Bollard with
12" x 12" x 1/2" Thick Base Plate



COLORS



Safety Yellow



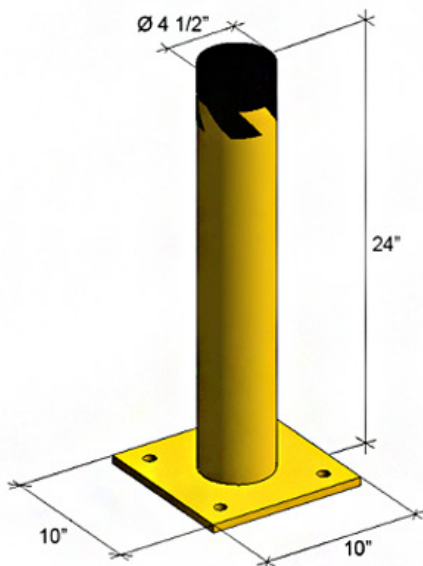
SIZES

Please consult the table below for a complete list of dimensions.

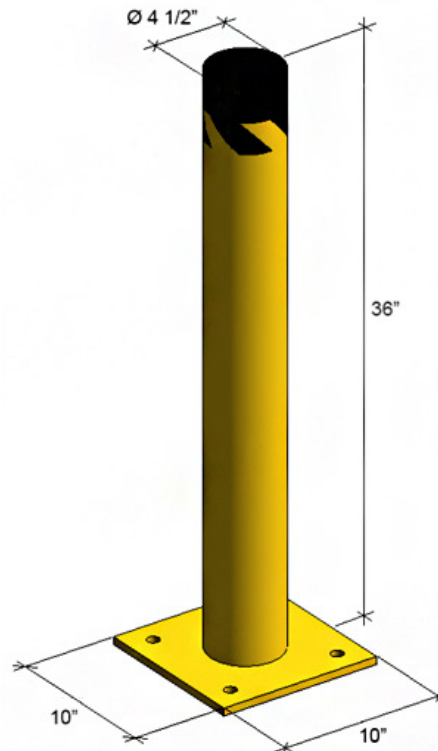
Sizes shown in blue are available for Accelerated Production.

ITEM DESCRIPTION	HEIGHT	DIAMETER	BASE PLATE	WEIGHT	ITEM #
Standard High Bollard	24"	4 1/2"	10" x 10" x 1/2" Thick	20 lbs	B24
Standard High Bollard	36"	4 1/2"	10" x 10" x 1/2" Thick	30 lbs	B36
Standard High Bollard	42"	4 1/2"	10" x 10" x 1/2" Thick	35 lbs	B42
Standard High Oversized Bollard	42"	6"	12" x 12" x 1/2" Thick	60 lbs	B642

ITEM # B24
 STANDARD HIGH BOLLARD
 HEIGHT 24"



ITEM # B36
 STANDARD HIGH BOLLARD
 HEIGHT 36"





Cogan
Since 1901



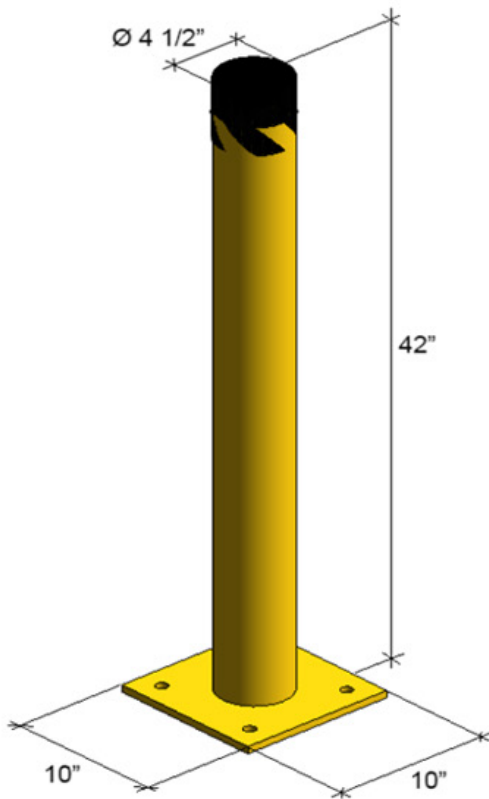
Guardrails
A Safe Workplace

cogan.com

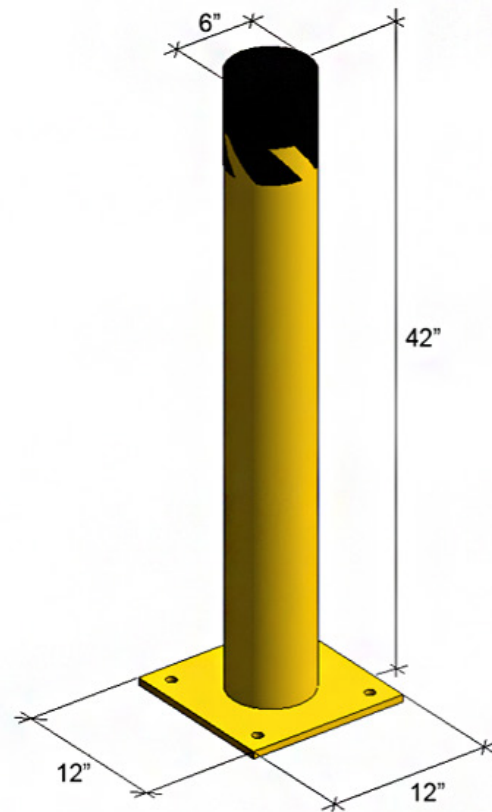
BOLLARD

SIZES

ITEM # B42
STANDARD HIGH BOLLARD
HEIGHT 42"

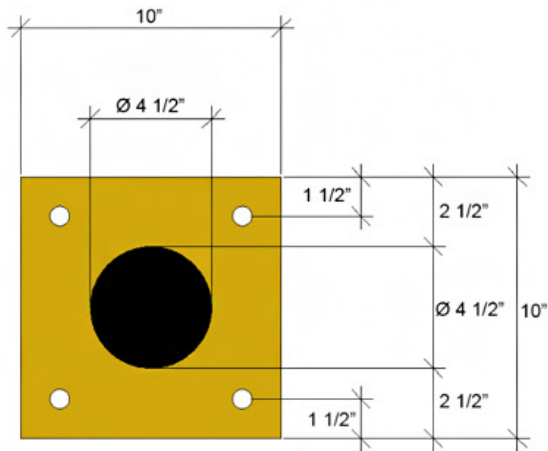


ITEM # B642
STANDARD HIGH OVERSIZED BOLLARD
HEIGHT 42"

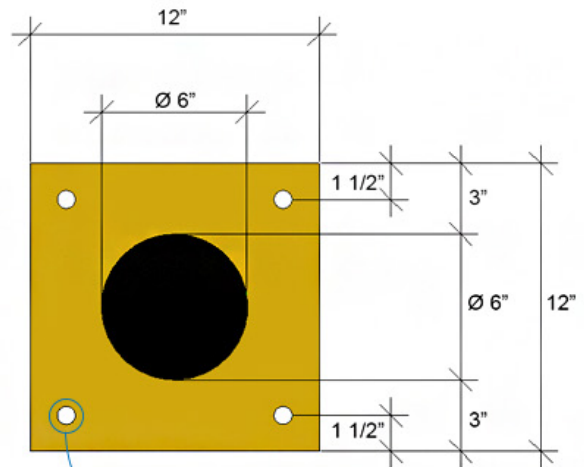


DETAILS

PLAN VIEW
BASE PLATE 10" x 10" x 1/2"



PLAN VIEW
BASE PLATE 12" x 12" x 1/2"



3/4" diameter
Requires 4- 5/8" \varnothing x 4 1/2"
Floor Anchors