



RAILS

Description



Rails are made of roll-formed 13-gauge structural steel. The durability of the steel meets the requirements indicated by the ASTM A1011 Grade 45.

Available in various lengths ranging from 19" to 115" and are sized for the following center- to-center dimensions: 12", 24", 36", 48", 60", 72", 8", 96", 108" or 120". Custom lengths are also available. Powder-coated safety yellow paint finish.

When properly installed, heavy-duty guardrails are engineered to withstand a 10,000 lb. impact at 4 mph.

GUARDRAIL - FRONT VIEW

PRODUCT INFORMATION

Assembly

Guardrails are assembled either individually or in pairs according to the height of the column it is being attached to. The standard 12" high rail is welded to two 12 1/2" x 3" plates on each side. These plates are punched with two 9/16" connection holes and bolted to the column using Ø1/2" x 7" carriage bolts.

Specifications

Need it fast? This product is available for Accelerated Production. 2-week delivery on select components. See "Sizes" tab for details.

Accelerated Production orders are assembled using raw material that we keep in stock. This allow us to fast track your order through our abbreviated production process.

SPECIFICATIONS

| | |
|----------------|-------------------------------------|
| Construction | Unassembled Components |
| Material | ASTM A607 grade 50 corrugated steel |
| Rail Height | 12" |
| Overall Height | 12 1/2" (includes end plate) |
| Rail Width | 3" |
| Overall Width | 3" (includes end plate) |
| Thickness | 13 - GA |
| Finish | Powder Coated Safety Yellow |
| Requires | Ø1/2" x 7" Carriage Bolts |

RAIL FRONT



RAIL BACK



Safety Yellow





SIZES

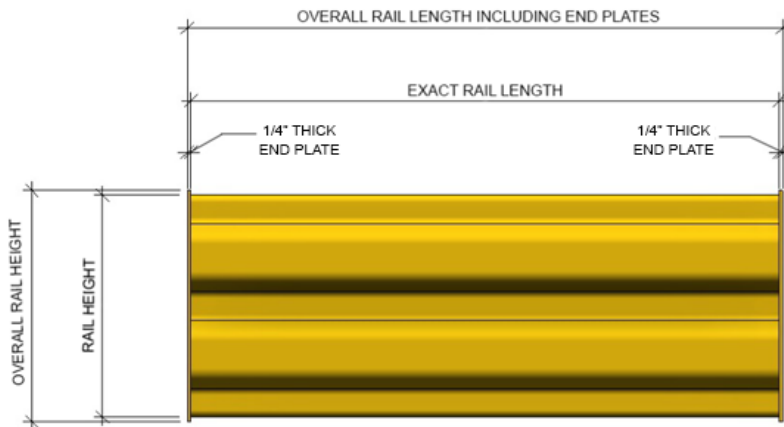
Please consult the table below for a complete list of dimensions.

Sizes shown in *blue* are available for Accelerated Production.

| ITEM DESCRIPTION | NOMINAL RAIL LENGTH | EXACT RAIL LENGTH | WEIGHT | ITEM # |
|---|---------------------|-------------------|--------|--------|
| 2' Heavy Duty Guardrail with 12" Rail Height | 2'-0" | 1'-7" | 17 lbs | G-GR2 |
| 3' Heavy Duty Guardrail with 12" Rail Height | 3'-0" | 2'-7" | 22 lbs | G-GR3 |
| 4' Heavy Duty Guardrail with 12" Rail Height | 4'-0" | 3'-7" | 25 lbs | G-GR4 |
| 5' Heavy Duty Guardrail with 12" Rail Height | 5'-0" | 4'-7" | 33 lbs | G-GR5 |
| 6' Heavy Duty Guardrail with 12" Rail Height | 6'-0" | 5'-7" | 39 lbs | G-GR6 |
| 7' Heavy Duty Guardrail with 12" Rail Height | 7'-0" | 6'-7" | 45 lbs | G-GR7 |
| 8' Heavy Duty Guardrail with 12" Rail Height | 8'-0" | 7'-7" | 51 lbs | G-GR8 |
| 9' Heavy Duty Guardrail with 12" Rail Height | 9'-0" | 8'-7" | 57 lbs | G-GR9 |
| 10' Heavy Duty Guardrail with 12" Rail Height | 10'-0" | 9'-7" | 63 lbs | G-GR10 |

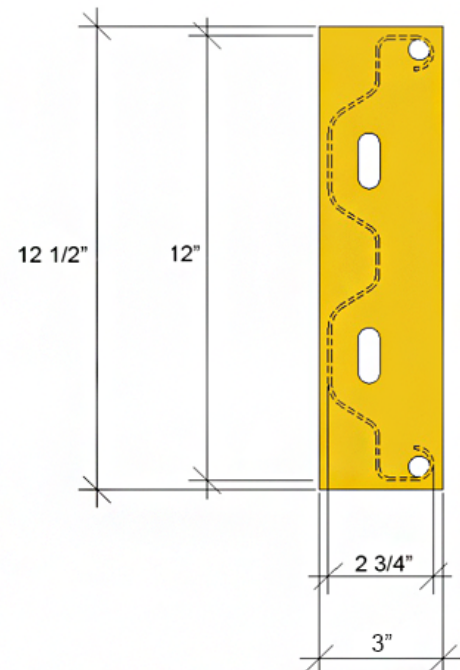
FRONT VIEW

Exact rail length including end plates
 1/4" thick each
 Overall rail height of 12 1/2"



SIDE VIEW

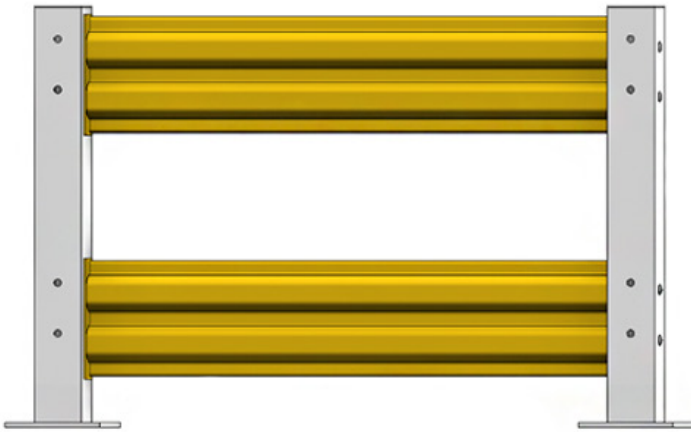
Rail is welded to a 12 1/2" x 3" x 1/4" thick end plate at each side.





DETAILS

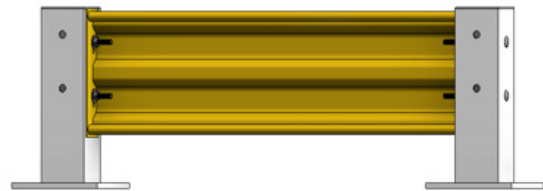
DOUBLE HEAVY DUTY GUARDRAIL
FRONT VIEW



SINGLE HEAVY DUTY GUARDRAIL
FRONT VIEW

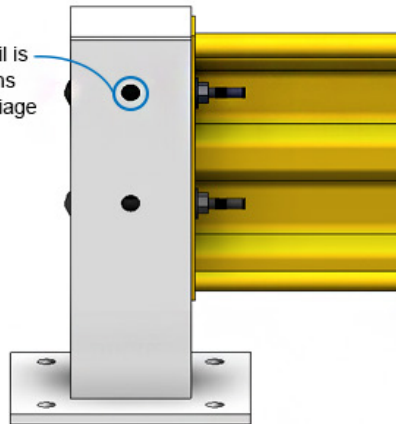


BACK VIEW

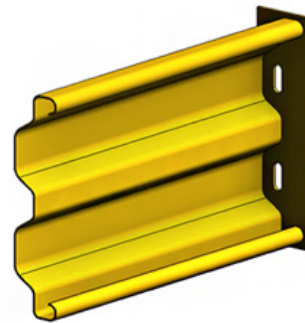


HEAVY DUTY GUARDRAIL
CONNECTION DETAIL

The heavy duty guardrail is connected to the columns using 2 - $\text{\O}1/2"$ x 7" carriage bolts



SECTION VIEW
RAIL SECTION





HOW TO ORDER

LAYOUT EXAMPLE (PLAN VIEW)

