

PEDESTRIAN BARRIER

Description



Pedestrian barriers are composed of 1.9" diameter tubes. Available in 2-rail or 3-rail configurations. Lengths of rail range from 2' to 12', but may be customized to meet specific distances. Rails are connected together by elbow sockets and t-sockets and may be arranged in various layouts to match the shape and size of the protected area. Rail segments are attached to a railing flange, which has (2) 1/2" diameter punched holes. The flange is used to bolt the railing system to the ground using 3/8" ϕ x 2 3/4" wedge bolt anchors. Pedestrian rails are powder-coated safety yellow for maximum visibility.

It is important to note that pedestrian rails are to be used for the sole purpose of pedestrian traffic control and should never be used as fall protection or as a crash barrier. When properly installed, the pedestrian system meets OSHA safety standard.

2 RAIL SYSTEM

PRODUCT INFORMATION

Assembly


The pedestrian barrier system is composed of tubular rails connected together with various elbow sockets and t-sockets. It may also be connected to an adjustable self-closing safety gate.

Specifications


SPECIFICATIONS

Length	2', 4', 6', 8', 10', 12'
Height	42" (From Bottom to Top of Highest Rail)
System	2 Rail System and 3 Rail System
Outer Diameter	1.910"
Material	Tubular Steel Rails
Finish	Powder Coated Safety Yellow
Requires	ϕ 3/8" x 2 3/4" Wedge Bolts Anchors
Standards	All Rails meet OSHA when properly installed
OSHA	Occupation Safety and Health Administration

COLORS

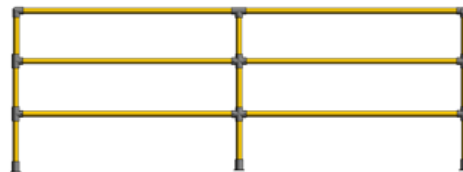
Safety Yellow
(Rails)



Electro Galvanized
(Fittings)

PEDESTRIAN RAIL SYSTEMS

3 Rail System



2 Rail System



DISCLAIMER

Please note that this product is for pedestrian traffic control only. It has not been rated for lateral load capacity and should never be used as fall protection or as a crash barrier. All Pedestrian Barriers must be installed on ground level only and can never be used as mezzanine handrail.

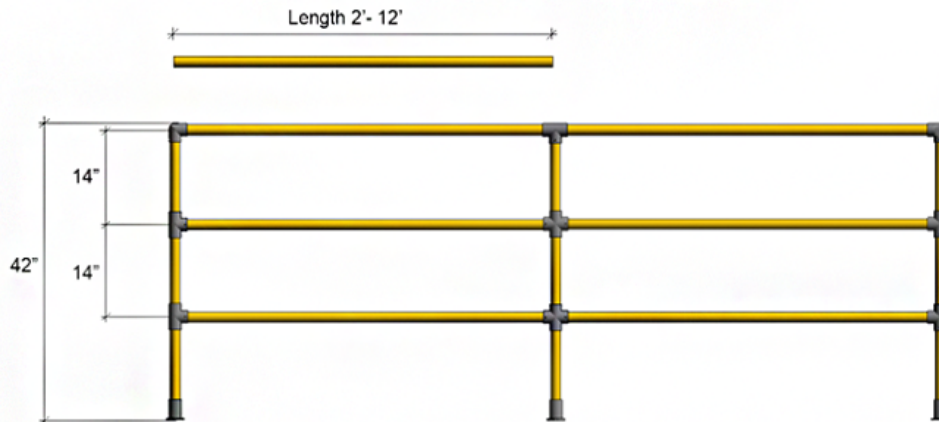


SIZES

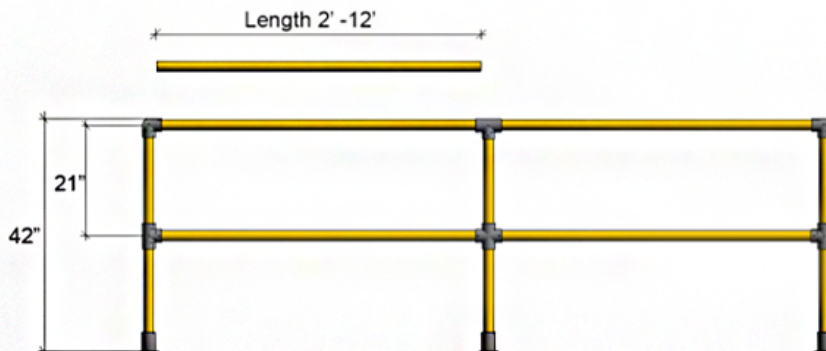
RAIL SIZE	STARTER UNITS		ADD- ON UNITS	
	ITEM # - 2RAIL SYSTEM	ITEM # - 3 RAIL SYSTEM	ITEM # - 2RAIL SYSTEM	ITEM # - 3 RAIL SYSTEM
2'	GHSU20	GHSU2B	GHAU20	GHAU2B
4'	GHSU40	GHSU4B	GHAU40	GHAU4B
6'	GHSU60	GHSU6B	GHAU60	GHAU6B
8'	GHSU80	GHSU8B	GHAU80	GHAU8B
10'	GHSU100	GHSU10B	GHAU100	GHAU10B
12'	GHSU120	GHSU12B	GHAU120	GHAU12B

**Custom Sizes are Also Available. When Ordering Please Specify The Number of Corners*

3- RAIL SYSTEM



2 RAIL SYSTEM

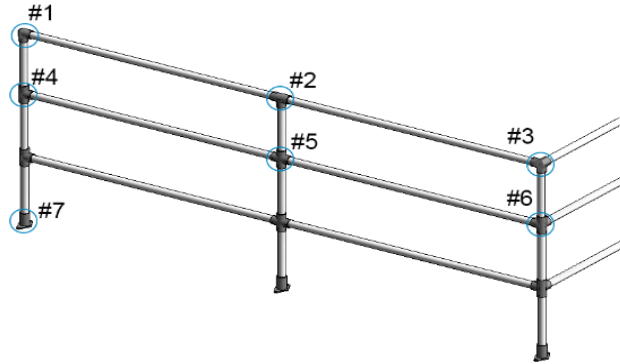
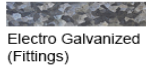


FITTINGS

SPECIFICATIONS

Material	Electro Galvanized Steel
Inner Diameter	19/10"
Outer Diameter	12/5"
Thickness	1/4"
Requires	Ø 1/4" Screw

COLORS



#1 GHH1



90° Elbow
Openings: 2

#2 GHH2



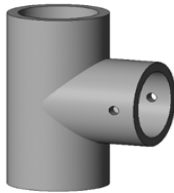
Three Socket Tee
Openings: 3

#3 GHH3



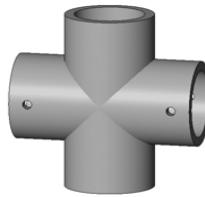
Side Outlet Elbow
Openings: 3

#4 GHH4



Single Socket Tee
Openings: 3

#5 GHH5



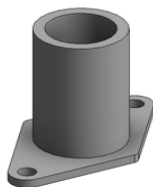
Two Socket Tee
Openings: 4

#6 GHH6



90° Side Outlet Tee
Openings: 4

#7 GHH7

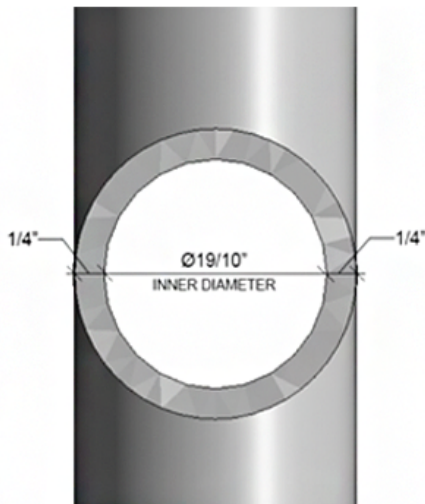


Railing Flange
Openings: 1

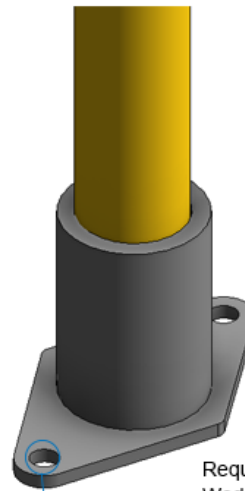


DETAILS

CROSS SECTION - TUBE RAIL
TOTAL OUTER DIAMETER 12/5"



RAILING FLANGE
2- 1/2" PUNCHED HOLES



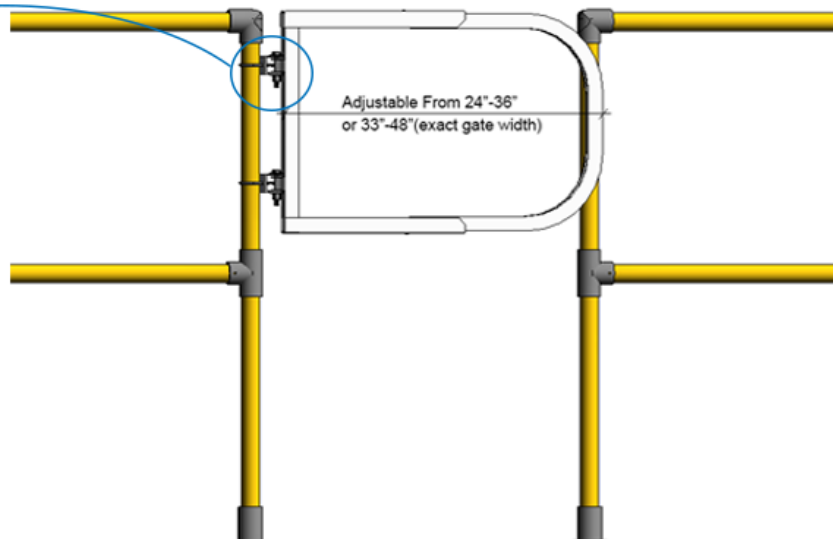
Requires 2 - 3/8" Øx 2 3/4"
Wedge Bolt Anchors

Please Contact a Cogan
Engineer to Determine Which
Type of Floor Anchor is needed if
the barrier is being used on a
mezzanine or other application
where the barrier must meet a
specific load capacity required
by code.

PEDESTRIAN RAIL
SAFETY GATE ASSEMBLY



Requires Spring
Bracket Connection
with Bolt and
Washer



Adjustable From 24"-36"
or 33"-48" (exact gate width)