

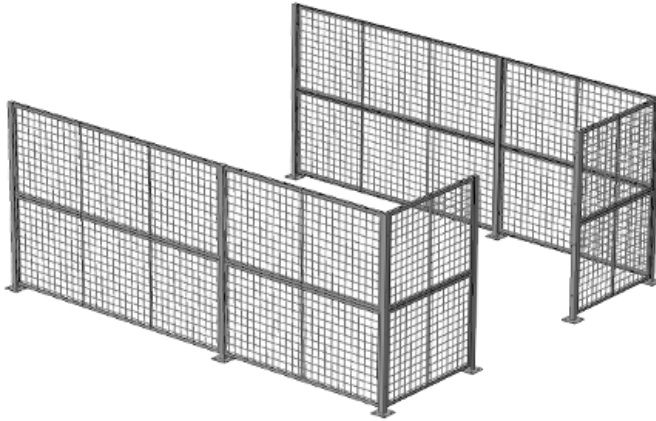


Partitions
24/7 Security

cogan.com

ORIGINAL (STRUCTURAL ANGLE) WIRE MESH PARTITION

POSTS - FREESTANDING



Description

This partition system features freestanding posts up to 24' high. Standard post spacing is 2' to 10' center-to-center. Custom post spacing is also available. Ideal for creating a secured perimeter in any manufacturing or warehouse facility. Panels are made of 2" x 2" x 10 GA welded wire mesh framed in 1 1/4" x 1 1/4" x 12GA structural angle with one or two welded 1/2" \varnothing reinforcement rods.

PRODUCT INFORMATION

This partition system features freestanding posts up to 24' high. Standard post spacing is 2' to 10' center-to-center. Custom post spacing is also available. Ideal for creating a secured perimeter in any manufacturing or warehouse facility.

Specifications

Need it fast? This product is available for Accelerated Production. 2-week delivery on select components. See "Details" tab for a complete list of sizes.

Accelerated Production orders are assembled using raw material that we keep in stock. This allow us to fast track your order through our abbreviated production process.

SPECIFICATIONS

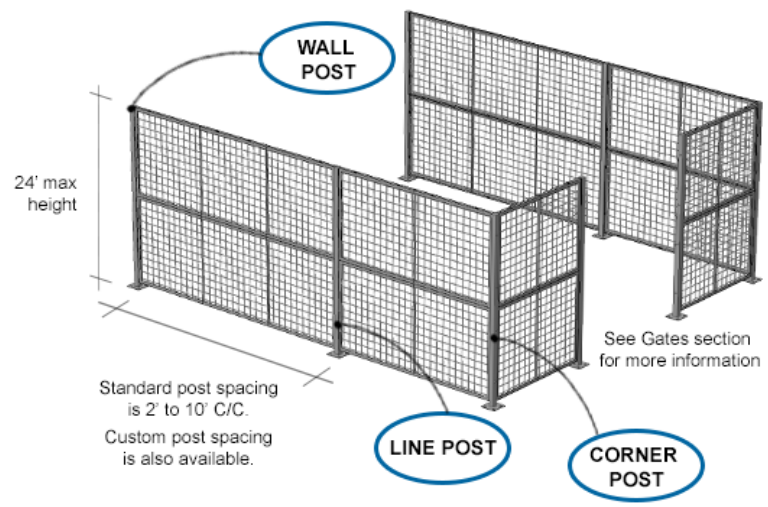
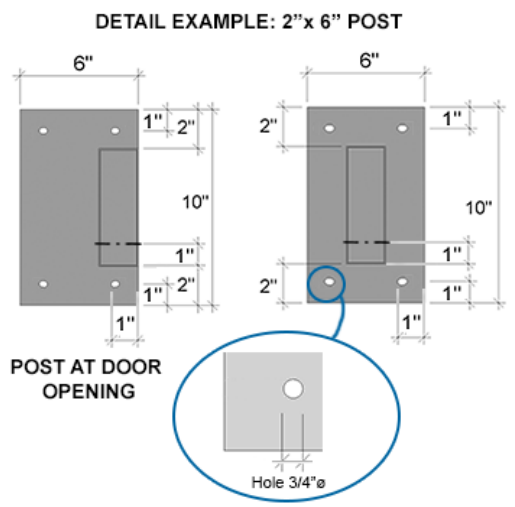
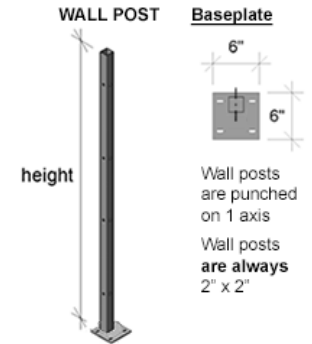
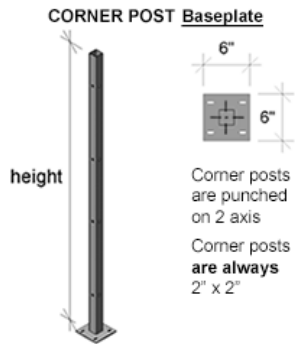
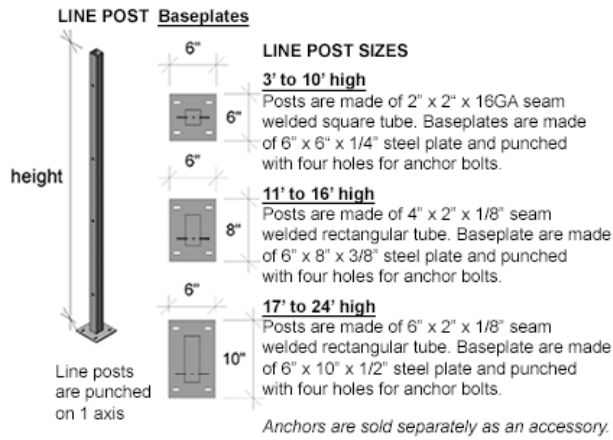
Post Height	2" x 2" Posts = 3' to 10' high, with Base Plate = 6" x 6" x 1/4"
	2" x 4" Posts = 11' to 16' high, with Base Plate = 8" x 6" x 3/8"
	2" x 6" Posts = 17' to 24' high, with Base Plate = 10" x 6" x 1/2"
Material	Hollow Structural Tubing
Finish	Powder-coated



Cogan Grey



DETAILS



ACCELERATED PRODUCTION

Sizes shown below are available for Accelerated Production. Freestanding posts only.

ITEM DESCRIPTION	ITEM #
Original Partition Line Post 8' High - 2" x 2" post welded to a 6" x 6" baseplate	P-POPFS8
Original Partition Corner Post 8' High - 2" x 2" post welded to a 6" x 6" baseplate	P-POPFS8CP
Original Partition Wall/Door Post 8' High - 2" x 2" post welded to a 6" x 6" baseplate	P-POPFS8WP